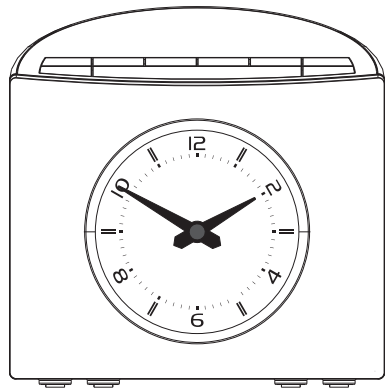


RCR-9



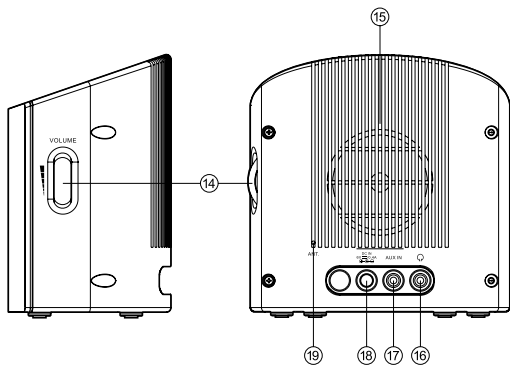
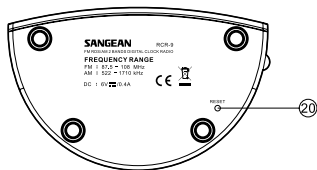
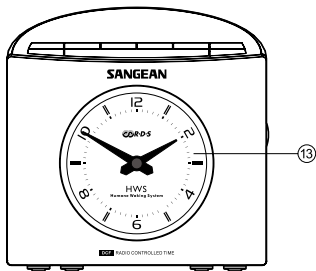
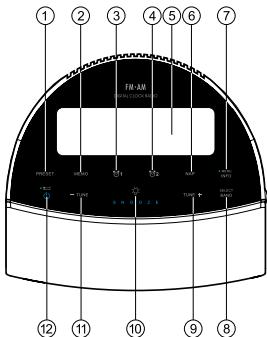
GB

Version 1

Content

GB

<i>Controls</i>	2-4
<i>Using the clock radio for the first time</i>	5-6
<i>Operating your radio - Search tuning FM / AM</i>	7-8
<i>Manual tuning - FM / AM</i>	9
<i>Setting up the tuning step increment</i>	10
<i>Display modes - FM</i>	10-11
<i>FM range setting</i>	12
<i>Stereo / Mono setting - FM</i>	13
<i>Presetting stations in AM / FM mode</i>	14-15
<i>Recalling a preset in AM / FM mode</i>	15
<i>Setting the time format</i>	16
<i>Setting the date format</i>	17
<i>Setting the clock time</i>	18-21
<i>Setting the alarm clock</i>	22-23
<i>When the alarm sounds</i>	24
<i>Disabling / cancelling alarms</i>	24
<i>Snooze</i>	25
<i>Sleep timer</i>	26
<i>Nap timer</i>	27
<i>Time zone setting</i>	28
<i>Daylight saving time</i>	29
<i>Loudness</i>	30
<i>Auxiliary input socket</i>	31
<i>Headphone socket</i>	32
<i>Software version</i>	32
<i>Factory reset</i>	33
<i>Reset your radio</i>	33
<i>Specifications</i>	34



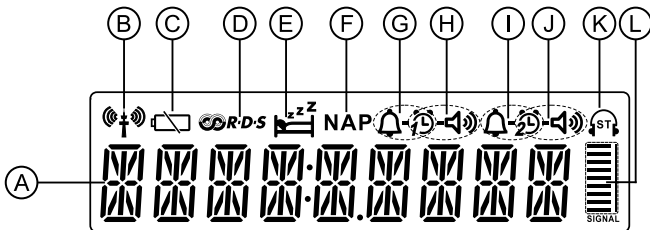
Controls

GB

- ① Preset recall button
- ② Memo button
- ③ Alarm 1 button
- ④ Alarm 2 button
- ⑤ Display
- ⑥ Nap timer button
- ⑦ Menu / info button
- ⑧ Select button / Band button
- ⑨ Tuning up button
- ⑩ Dimmer button (upper part of the button) / Snooze button (lower part of the button)
- ⑪ Tuning down button
- ⑫ Standby button / Sleep timer button
- ⑬ Clock
- ⑭ Volume control
- ⑮ Speaker
- ⑯ Headphone socket
- ⑰ Aux in socket
- ⑱ DC in socket
- ⑲ Wire antenna
- ⑳ Reset button

LCD Display

- Ⓐ Time / frequency indicator
- Ⓑ Radio - controlled time signal
- Ⓒ Low battery indicator
- Ⓓ RDS indicator
- Ⓔ Sleep / Snooze indicator
- Ⓕ Nap indicator
- Ⓖ Alarm 1 with buzzer alarm indicator
- Ⓗ Alarm 1 with radio alarm indicator
- Ⓘ Alarm 2 with buzzer alarm indicator
- Ⓙ Alarm 2 with radio alarm indicator
- Ⓚ FM stereo indicator
- Ⓛ Signal level indicator



Using the clock radio for the first time

GB

1. Place your clock radio on a flat surface.
2. Fully extend the wire aerial located on the rear of your clock radio.
Place the wire antenna so that it is straight as possible extending either above or below the radio.
3. Insert the adaptor plug into the DC socket located on the rear of your clock radio. Plug the adaptor into a standard 13 amp mains socket outlet. The display will show "time zone" for a few seconds and then the display will ask you to set your time zone. To set the time zone, press the Tuning up/down button and the Select button to confirm. The clock hands will then move to 12:00. The radio will scan for signal and if a signal is found and received completely it will then show the (xx xxxx symbol) on the screen without flashing. Now the radio will show both the current time and the clock hands will then move to show the correct time.

4. If no signals are found, (xxxxxsymbol) will show on the display or will be flashing. It may be necessary to relocate your clock radio to a position giving better reception.

IMPORTANT:

The mains adaptor is used as the means of connecting the clock radio to the mains supply. The mains socket used for the clock radio must remain accessible during normal use. In order to disconnect the radio from the mains completely, the mains adaptor should be removed from the mains socket outlet completely.

Characters appearing on the LCD display indicates the clock radio is connected to and powered from the mains supply.

Operating your radio - Search tuning FM / AM

GB

1. Place the wire antenna so that it is as straight as possible extending either above or below the radio.
2. Press the On/Off button to switch on your clock radio.
3. Press the Band button to select the FM/AM band.
4. Press and hold the Tuning Up button. Your radio will scan in an upwards direction (low frequency to high frequency) and stop automatically when it finds a station of sufficient strength.
5. After a few seconds the display will update. The display will show the frequency of the signal found. If the signal is strong enough and there is RDS data present then the radio will display the station name.
6. To find other stations, press and hold the Tuning Up button as before.

7. To scan the FM band in a downwards direction (high frequency to low frequency) press and hold the Tuning Down button.
8. When the waveband end is reached your radio will recommence tuning from the opposite waveband end.
9. Adjust the Volume buttons to the required setting.
10. To switch off your radio press the On/Off button.

Manual tuning – FM / AM

GB

1. Press the On/Off button to switch on your clock radio.
2. Press the Band button to select the FM/AM band.
Fully extend the wire antenna for FM reception.
3. Press the Tuning Up/Down button to tune to a station.
The frequency will change in steps of 50 kHz/100 kHz in FM or 9 kHz in AM.
4. When the waveband end is reached the radio will recommence tuning from the opposite waveband end.
5. Adjust the Volume buttons to the desired settings.
6. To switch off your clock radio press the On/Off button.

Setting up the tuning step increment

1. Press and hold the Info/menu button to enter the menu setting when the radio source is in AM/FM mode.
2. Press the Tuning up/down button until FM xxkHz or AM xxkHz appears on the display, and press the Select button to enter the step increment setting.
3. Press the Tuning up/down button to select 50 kHz / 100 kHz for FM radio, and 9 kHz/10 kHz for AM radio. Then press the Select button to confirm the setting.

Display modes - FM

Your radio has four display modes for FM radio. These use data provided by broadcasters which is commonly known as RDS.

The Radio Data System (RDS) is a system in which inaudible digital information is transmitted in addition to the normal FM radio programme.

RDS offers several useful features. The following are available on your radio:-

1. Press the Info button to cycle through the various modes.

- a. Station name Displays the name of the station being listened to.
- b. Programme Type Displays the type of station being listened to e.g. Pop, Classic, News, etc.
- c. Radio text Displays radio text message such as, new item etc.
- d. Year / Day Displays the current year and day of the week according to the date setting of your radio.
- e. Date / Day Displays the current date and day of the week according to the date setting of your radio.
- f . Time Displays current time.
- g. Frequency Displays the frequency of the station being listened to.

If there is no RDS data available (or if the signal is too weak) then the radio will display only the FM frequency and the optional Stereo indicator.

FM range setting

FM range is different from countries to countries. It is necessary to adjust FM range to allow the radio to work properly.

1. Press and hold the Menu/Info button to enter the menu setting.
2. Rotate the Tuning up/down button till the range of FM shows on the display. Press the Select button to confirm the desired FM range. FM range setting is then completed.

The available FM range is as following:

87-108 for the common area (default)

76-90 for Japan

64-108 for Eastern European countries and Russia

76-108 for some of China area

Stereo / Mono setting - FM

If the FM radio station being listened to has a weak signal some hiss may be audible. It is preferable to reduce this hiss by forcing the radio to play the station in mono rather than stereo.

1. Press the Standby button to switch on your radio.
2. Tune to the required FM radio station as previously described.
3. Press and hold the Menu/Info button to enter the menu setting.
4. Press the Tuning up/down button until 'FM AUTO or FM MONO' shown on the display. Press the Select button to enter the setting. If the setting is Auto press the Tuning control to switch to Mono mode to reduce the hiss.
5. To return to Auto (stereo) mode press and release the Tuning control to alter the setting, so that the radio will switch back to Auto mode.

Presetting stations in AM / FM mode

There are 9 preset stations each for AM and FM radio. They are used in the same way for each waveband.

1. Press the Standby button to switch on your radio.
2. Press the Band button to select the desired waveband. Tune to the required radio station as previously described.
3. Press the Memo button and the letter “M” will be shown on the display.
4. Press the Tuning up/down button or the Preset button to select the preset number you want to store in. Press the Memo button again to confirm the preset. Now the display will show letter ‘P’ with a preset digit. Repeat this procedure for the remaining presets as you wish.

Note:

If you forget which preset number has been used, during the presetting station procedure you can find out while pressing the Tuning up/down button. If the preset number is shown with letter 'M', indicating the preset number is used. If not, there is no station stored in this preset number.

5. Preset stations which have already been stored may be overwritten by following the above procedure if required.

Recalling a preset in AM / FM mode

1. Press the Standby button to switch on your radio.
2. Select the required waveband by pressing the Band button.
3. Press the Preset recall button repeatedly to tune to one of the stations stored in the preset memory.

Clock and Alarms

Setting the time format

The clock display used in stand-by mode and on the playing mode screens can be set to 12 or 24 hour format. The selected format is then also used when setting the alarms.

1. Press and hold the Info/menu button to enter the menu setting.
2. Rotate the Tuning control until CLOCK XXH appears on the display, then press the Select button to enter the setting and the setting of time format begins to flash.
3. Press the Tuning up/down button to select either 12 or 24 hour format.

Press the Select button to confirm your choice of clock format. The display will then revert to the previous menu.

If the 12 hour clock format is chosen, the radio will then use the 12 hour clock for the setting of alarms with a PM indicator.

Setting the date format

1. Press and hold the Info/menu button to access the menu setting.
2. Press the Tuning up/down button until a series digit for month/date/day shown on the display. Press the Select button to enter the date format setting and the digit for month and date will flash.
3. Press the Tuning up/down button to select the required date format. Press the Select button to confirm your choice of date format. The display will then revert to the previous menu.

Setting the clock time

Radio - controlled clock

There are three options to set up the clock time:

Radio-controlled clock, FM Radio Data System (RDS) and Manual setting. When the unit is first plugged in, the radio will automatically synchronize its clock time with the Radio-controlled clock signal received while the radio is in power off mode.

1. To set up the clock time using the Radio-controlled clock function, press and hold the Info/menu button when the unit is in power off mode.
2. Press the Tuning up/down button until a clock symbol appears on the display. Press the Select button to enter the menu setting.
3. Press the Tuning up/down button until DCF77 (European version), WWVB (US version) or JJY40/60 (Japan version) appeared on the display. Press the Select button to confirm the setting. And the clock time of the radio will set up automatically to the Radio-controlled clock time.

4. If the radio-controlled clock signal is being received by the radio, the radio-controlled time icon will flash on the display at an interval of 1 second. If the radio is not receiving any radio-controlled clock signal, the radio-controlled time icon will flash at an interval of 3 seconds.

5. The radio will synchronize its clock time on the hour. If the radio time has been synchronized with radio-controlled clock time, the radio-controlled time icon will stay on the LCD display and the radio will keep synchronizing its clock time every odd hour on the hour. If the radio is receiving the radio-controlled clock signal but is not yet synchronized to the radio-controlled clock time, it will synchronize its clock time at every hour on the hour.

Manual setting

When choosing manual setting as the clock time setting of your radio, the radio-controlled clock and Radio Data System (RDS) function will both be disabled.

1. Press and hold the Info/menu button.
2. Press the Tuning up/down button until a clock symbol appears on the left side of the display, then press the Select button to enter the setting. Press the Tuning up/down button until 'MANUAL' appeared on the display, then press the Select button to select the setting.
3. Press and hold the Info/menu button to enter the menu setting again. Press the Tuning up/down button until 'CLOCK SET' shown on the display, then press the Select button to select to enter the setting.
4. The hour setting on the display will begin flashing. Press the Tuning up/down to select the desired hour, and press the Select button to confirm the setting. Then press the Tuning up/down button to select the desired minute, and press the Select button to confirm the setting.

Radio Data System (RDS)

When you set the clock time using the RDS function, your radio will synchronize its clock time whenever it tunes to a radio station using RDS with CT signals.

1. When tuning to a station transmitting RDS data, press and hold the Info/menu button.
2. Press the Tuning up/down button until a clock symbol appears on the display. Press the Select button to enter the setting.
3. Press the Tuning up/down button until RDS CT appears on the display.
Press the Select button to confirm the setting. The clock time of the radio will set up automatically according to the RDS data received.
4. When the action is completed, the RDS icon will appear on the LCD display indicating the radio time is RDS clock time. The radio clock time will be valid for 5 days each time the radio time is synchronized with RDS CT.

Setting the alarm clock

There are two alarms which can each be set to wake you to AM/FM radio or buzzer alarm . The alarms may be set while the unit is in standby mode or while playing.

1. Before setting an alarm ensure the clock time is set. Press and hold the Alarm 1 button to enter the alarm 1 setting.
2. The hour setting of alarm 1 will begin to flash. Press the Tuning up/down button to select the required alarm hour, and press the Select button to confirm the setting. Press the Tuning up/down button to select the required alarm minute, and press the Select button to confirm the setting.
3. Then the display will show the frequency options for the alarm. Press the Tuning up/down button to select the desired option and press the Select button to confirm the setting.

The alarm options are as follows:

ONCE – the alarm will sound once

DAILY – the alarm will sound everyday

WEEKDAY – the alarm will sound only on weekdays

WEEKEND – the alarm will sound only at weekends

4. Press the Tuning up/down to choose the required alarm type, and then press the Select button to confirm the setting. The alarm can be set to buzzer, FM or AM. When radio mode is selected, the radio frequency and the preset number on the display will begin to flash. Press the Tuning up/down to adjust the required radio frequency or the required preset number for the radio alarm, then press the Select button to confirm the setting.
5. Press the Tuning up/down to choose the required sound level for the alarm. Press the Select button to confirm the setting. The alarm has now been set. Symbol for active alarm is shown on the display.

When the alarm sounds

To cancel a sounding alarm, press and hold the Alarm 1 or Alarm 2 button until the alarm indicator on the display disappears.

When the buzzer alarm activates, the alarm will start softly and gradually increase in level. It will sound for 1 minute and silence for 1 minute in repetition for 60 minutes unless cancelled. When the other alarm types are set, the radio will sound non-stop at the selected time for up to 60 minutes.

When the radio alarm is activated, the alarm will go off in Humane Waking System. It will increase its volume in 0.5 increments from 0 to your set volume.

Disabling / cancelling alarms

To disable an active alarm, either press and release the Standby button, or press and hold the corresponding alarm button to cancel the alarm.

Snooze

1. When the alarm sounds, press Snooze button or any button other than the Standby button will silence the alarm for 5 minutes. "SNOOZE" will appear on the display.
2. To adjust the silence time for the snooze timer, press and hold the Info/menu button to enter the menu setting.
3. Press the Tuning up/down button until "SNOOZE X" appears on the display, then press the Select button to enter the setting. Press the Tuning up/down button to adjust the silence time. There are 5, 10, 15 and 20 minutes for the snooze timer.
4. To cancel the snooze timer while the alarm is suspended, press the Standby button.

Sleep timer

Your radio can be set to turn off automatically after a preset time has elapsed. The Sleep Timer setting can be adjusted between 15,30, 45, 60, 90 and 120 minutes.

1. Press and hold the Standby button to enter the Sleep Timer setting. "SLEEP XX" will show on the display.
2. Keep holding the Standby button and the Sleep Timer options will start switching on the display. Stop until the required Sleep Timer setting appears on the display. The setting will be saved and the LCD will return to normal display.
3. Your radio will switch off automatically after the preset Sleep Timer has elapsed. The Sleep Timer icon will show on the display indicating an active Sleep Timer.
4. To cancel the Sleep Timer function before the preset time has elapsed, simply press and release the Standby button to turn the unit off manually.

Nap timer

1. Press the Nap timer button to enter the menu setting.
2. Press the Tuning up/down button to set the desired setting from 1 to 120 minutes with 1 minute interval.
3. Press the select button to confirm the setting. The 'NAP' word will appear on the display.
4. To view the remaining time of an active timer setting, press the Nap timer button . To cancel a sounding Nap timer, press Standby button. If any button other than the Standby button is pressed when the alarm sounds, snooze function will be activated.

To cancel the function when countdown is progressing, go to nap timer setting menu and select 'OFF'.

Time zone setting

Your radio can set up the time zone for its radio clock time.

1. Press and hold the Info/menu button to enter the menu setting.
2. Press the Tuning up/down button until 'TIME ZONE' appears on the display. Press the Select button to enter the setting.
3. Press the Tuning up/down button to choose the Time zone setting for your area, then press the Select button to confirm the setting.
4. Press and release the Info/menu button and the LCD will revert to the normal display.

Note:

When switching on the radio after a power disconnection, you will need to complete the time zone setting before the normal operation of the radio.

Daylight Saving Time

GB

1. Press and hold the Info/menu button to enter the menu setting.
2. Press the Tuning up/down button until “DST XX” shown on the display. Press the Select button to enter the setting.
3. Press the Tuning up/down button to choose +1H to set the clock 1 hour faster, and press the Select button to confirm the setting.
4. To set the clock back from D.S.T., choose OFF and then press the Select button to confirm the setting.

Loudness

You can get compensation on lower and higher frequency for your radio by adjusting the Loudness function.

1. Press and hold the Info/menu button to enter the menu setting.
2. Rotate the Tuning control until 'LOUD ON or OFF' appears on the display. Press the Select button to enter the setting.
3. Press the Tuning up/down button to choose ON to turn on the loudness function, then press the Select button to confirm the setting.
4. To turn off the loudness function, select OFF and press the Select button to confirm the setting.

Dimmer control

The brightness of the LCD and clock display may be adjusted. Press the Dimmer button to allow the backlight to be darker or brighter.

Auxiliary input socket

GB

A 3.5mm stereo Auxiliary Input socket is provided on the rear of your radio to permit an audio signal to be fed into the unit from an external audio device such as iPod, MP3 or CD player.

1. Repeatedly press and release the Band button until AUX IN is shown.
2. Connect an external audio source (for example, iPod, MP3 or CD player) to the Auxiliary Input socket.
3. Adjust the volume setting on your iPod, MP3 or CD player to ensure an adequate signal level from the player, and then rotate the Volume control on the radio as needed for comfortable listening.

Headphone socket

A 3.5mm Headphone socket located on the rear of your radio is provided for use with either headphones or an earpiece. Inserting a plug automatically mutes the internal loudspeaker.

IMPORTANT:

Excessive sound pressure from earphones and headphones can cause hearing loss.

Software version

The software display cannot be altered and is just for your reference.

1. Press and hold the Info/menu button to enter the menu setting.
2. Press the Tuning up/down button until VER 0.XX appears on the display to view the software version of your radio.

Factory reset

If your radio fails to operate correctly, or some digits on the display are missing/incomplete or you simply just want to restore to original factory setting, carry out the following procedure.

1. Press and hold the Info/menu button to enter the menu setting.
2. Press the Tuning up/down button until “FACTORY” shown on the display. Press the Select button to enter the setting.
3. Press the Tuning up/down button to select ‘YES’, and press the Select button to confirm the setting . A full reset will be performed. The station list and presets will be set to empty. Alarms will be cancelled and timer and sleep timer settings will be set to their default values.

Reset the radio

If your radio fails to operate correctly, or some display digits are missing, press the RESET button (on the bottom of the radio) with suitable implement for more than 2 seconds, the whole memory will be reset as a brand-new one.

Specifications

Power Requirements

AC adaptor	AC 230 volts, 50 Hz (European version)
	AC 120 volts, 60 Hz (US version)

Frequency Coverage

FM	87.50 - 108 MHz
AM	522 - 1710 kHz

Circuit features

Loudspeaker	63 mm
Output Power	700 mW
Headphone socket	3.5mm dia
Aux in socket	3.5mm dia

Aerial System

FM	Wire antenna
----	--------------

The Company reserves the right to amend the specification without notice.



If at any time in the future you should need to dispose of this product please note that: Waste electrical products should not be disposed of with household waste. Please recycle where facilities exist. Check with your Local Authority or retailer for recycling advice. (Waste Electrical and Electronic Equipment Directive)